

M12 Circular Connector



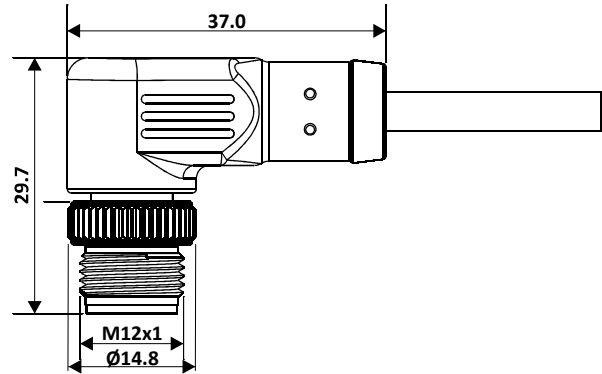
M12 Male Right Angle 12 Pin Connector

Product Image



Product may differ from image.

Product Diagram

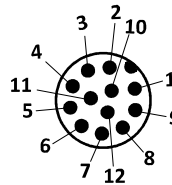


All dimensions are in mm.

General Specification

Rated Operational Voltage	30 V
Current Rating	1.5A
Insulation Resistance	$\geq 100 \text{ M}\Omega$
Temperature Range	-25°C ... +75°C
Tightening Torque	0.6 Nm
Degree of Protection	IP67
Coding	A-Coded

Pin Assignment



Pin No.	Description
1	Brown
2	Blue
3	White
4	Green
5	Pink
6	Yellow
7	Black
8	Grey
9	Red
10	Violet
11	Grey / Pink
12	Red / Blue

Material Specification

Grip Material	PU
Contact	Cu-Zn
Contact Plating	Gold Flash
Contact Carrier	Nylon 66
Grip Colour	Black
Coupling Nut	Brass Nickel-Plated

Specification & Approval

RoHS	Compliant with Exemption
RoHS exemption	6@: Copper alloy containing up to 4 % lead by weight
REACH SVHC substances	Yes
REACH SVHC substances	CAS 7439-92-1 (Lead)
CE	Yes
Standard	IEC 61076-2-101

Cable Specification

Cable Length-L	2 m
Cable Type	12 Core PVC Multi Strand
Sheath Colour	Black
Cross Section of Wire	0.14 sq. mm
Core Dia	1.1 mm
Cable Dia	6.5 ± 0.1 mm
Termination	Partially Stripped

Ordering Part No.

Cable Length	Part Number
2 m	CBM12-R12N0-02BPVC
3 m	CBM12-R12N0-03BPVC
5 m	CBM12-R12N0-05BPVC
10 m	CBM12-R12N0-10BPVC
15 m	CBM12-R12N0-15BPVC

*Please contact factory for customized cable lengths.

